

STRUCTURAL NOTES

1. ALL DIMENSIONS ARE TO BE VERIFIED BY THE CONTRACTOR PRIOR TO FABRICATION/CONSTRUCTION.
2. FRAMING LUMBER TO BE PRESSURE TREATED DOUGLAS FIR NO. 1 OR BETTER.
3. PLYWOOD SHALL BE PER AMERICAN PLYWOOD ASSOCIATION SPECIFICATIONS.
4. ALL FRAMING DEVICES ARE SIMPSON "STRONG-TIE" CONNECTIONS. INSTALL DEVICES AND FILL ALL NAIL HOLES PER MANUFACTURER'S LITERATURE/SPECIFICATIONS.
5. ALL NAILS SHALL BE COMMON. FOR NAILING NOT NOTED REFER TO IBC TABLE 2304.9.1. ALL NAILS INTO PRESSURE TREATED WOOD TO BE HOT DIPPED GALVANIZED.
6. FOR FRAMING DETAILS NOT SHOWN REFER TO IBC "CONVENTIONAL FRAMING" PROVISIONS.
7. MEMBERS IN CONTACT WITH CONCRETE OR MASONRY SHALL BE PRESSURE TREATED OR FOUNDATION GRADE REDWOOD. DO NOT PLACE ANY WOOD MEMBERS IN CONTACT WITH THE EARTH.
8. PLYWOOD SHEAR WALL PANEL VENEERS SHALL NOT BE BROKEN OR CRUSHED UPON THE INSTALLATION OF SHEAR WALL NAILING.
9. SHEATHING TO CLEAR ALL CONCRETE SURFACES BY A MINIMUM OF 1".
10. SIDE SHEATHING TO ANCHOR TO EXISTING WALL AT UPPER LEDGER AND LOWER NAILER.

MAINTENANCE NOTE:

A SNOW SHED WILL HELP PREVENT SNOW AND ICE ACCUMULATION, BUT IS NOT A SUBSTITUTE FOR THE UPKEEP AND MAINTENCE OF THE ADJOINING RESIDENCE OR STRUCTURE. IT IS IMPORTANT TO KEEP GUTTERS FREE OF LEAVES AND DEBRIS, INCLUDING THOSE ABOVE OR NEAR THE NATURAL GAS METER. ALSO, NO SHED WILL PROTECT AGAINST FALLING ICE SHEETS, SO CARE MUST BE TAKEN TO PREVENT THE ACCUMULATION OF ICE THAT COULD RESULT IN AN ICE FALL.



DESIGNED: JTB	DATE	NO. REVISIONS					
DRAWN: JTB							
PROJ. NO: 202213							
DATE: JULY, 2023							

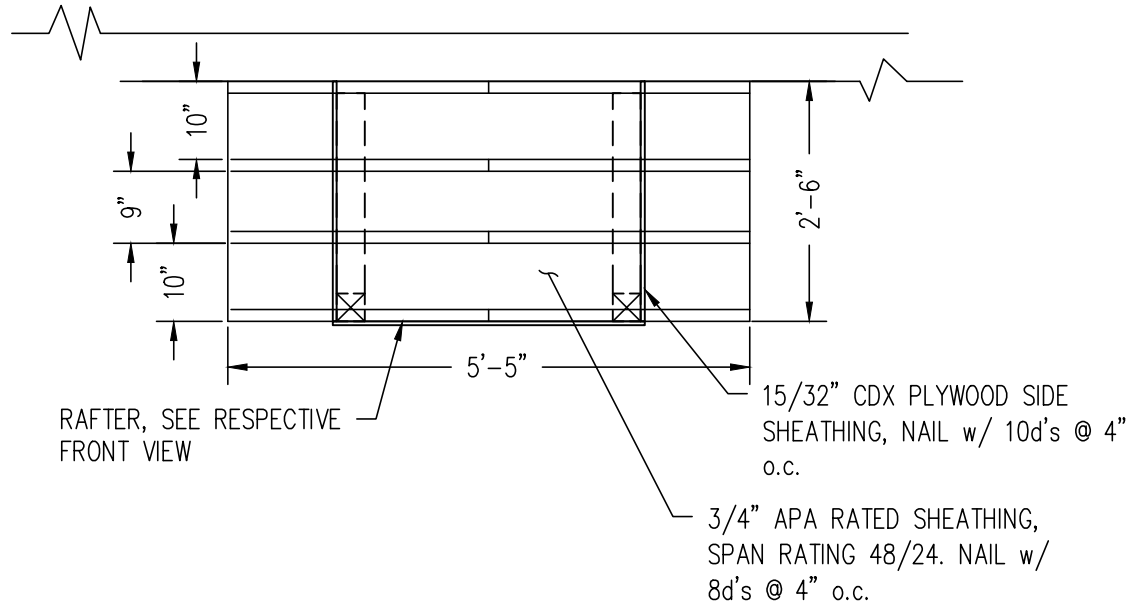
GAS METER SHELTER
IMPROVEMENT PLANS
NOTES

CALIFORNIA

© SCO PLANNING & ENGINEERING, INC.

GRASS VALLEY
 530-272-5844
 TRUCKEE
 530-436-4043
 FAX: 530-285-8758

TAHOE



GABLE ROOF – TYPICAL PLAN VIEW

SCALE: 1/2" = 1'-0"



7/25/2022

NO.	REVISIONS	DATE	DESIGNED: JTB
			DRAWN: JTB
			PROJ. NO: 202213
			DATE: JULY, 2023

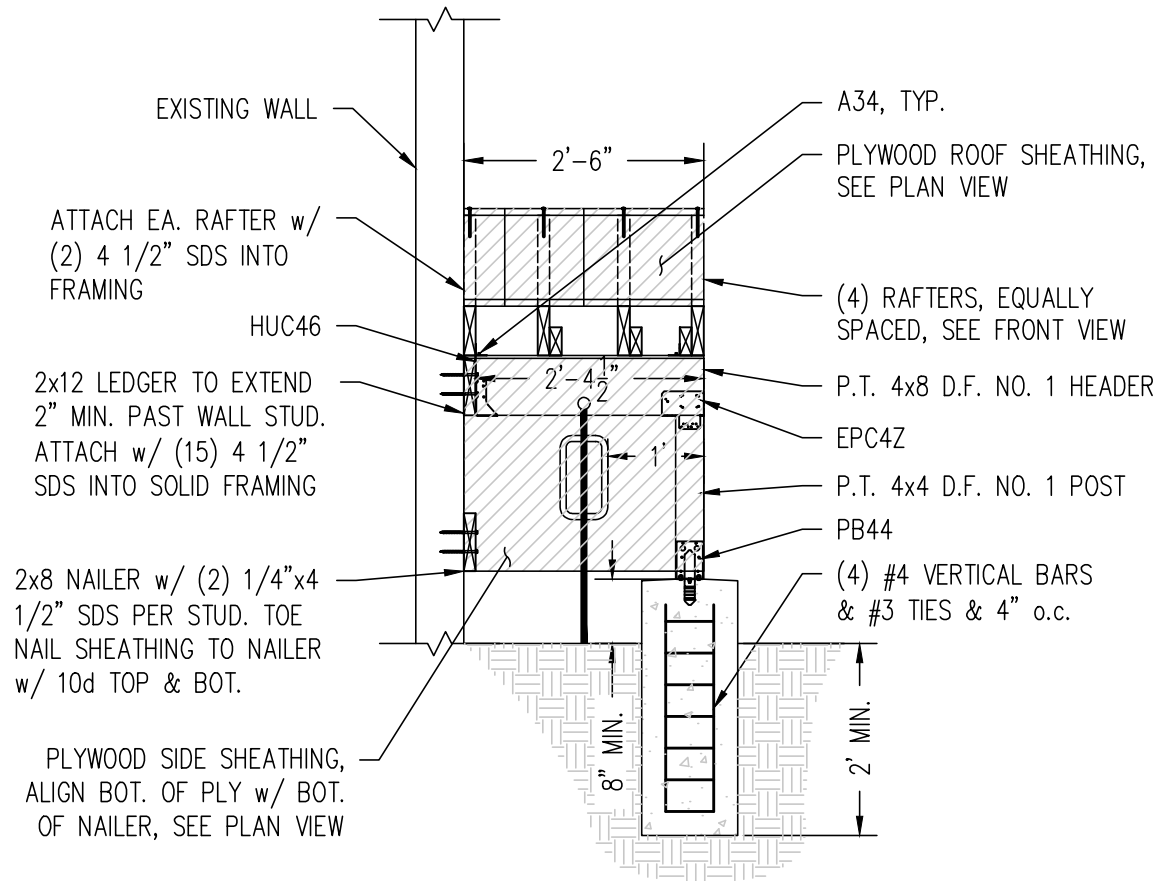
**GAS METER SHELTER
IMPROVEMENT PLANS
GABLE - PLAN VIEW**

CALIFORNIA

TAHOE



CRANS VALLEY
530-272-5844
TRUCKEE
530-436-4043
FAX: 530-265-8758



① 800 PSF GABLE ROOF – SIDE VIEW
SCALE: 1/2" = 1'-0"

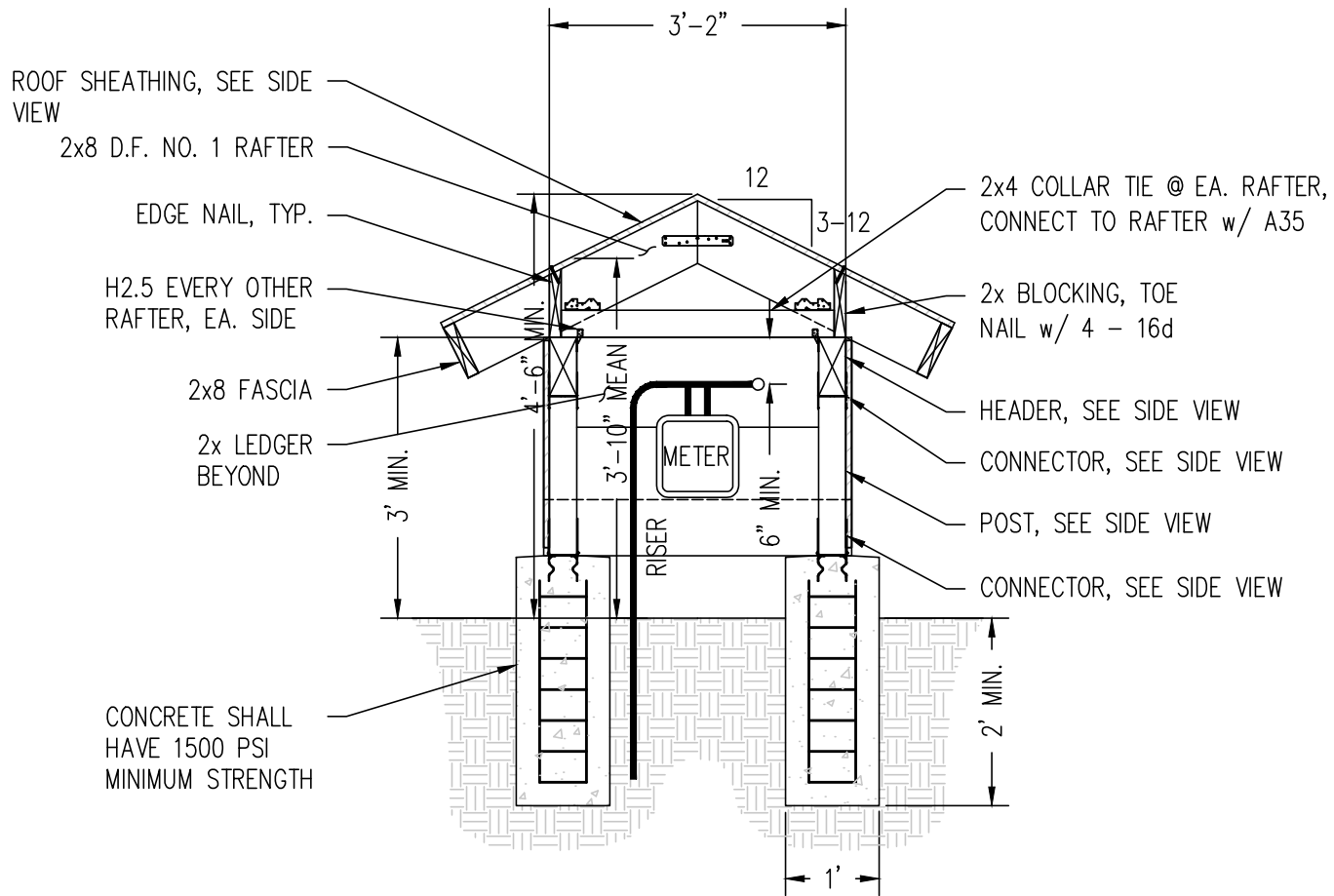


DESIGNED: JTB	DATE
DRAWN: JTB	
PROJ. NO: 202213	
DATE: JULY, 2023	

NO.	REVISIONS

GAS METER SHELTER
IMPROVEMENT PLANS
800 PSF GABLE - SIDE VIEW
CALIFORNIA
TAHOE

SCD
SCD PLANNING & ENGINEERING, INC.
GRASS VALLEY
530-272-5844
TRUCKEE
530-486-4043
FAX: 530-285-8758




② 800 PSF GABLE ROOF - FRONT VIEW
SCALE: 1/2" = 1'-0"



NO.	REVISIONS	DATE	DESIGNED: JTB
			DRAWN: JTB
			PROJ. NO: 202213
			DATE: JULY, 2023

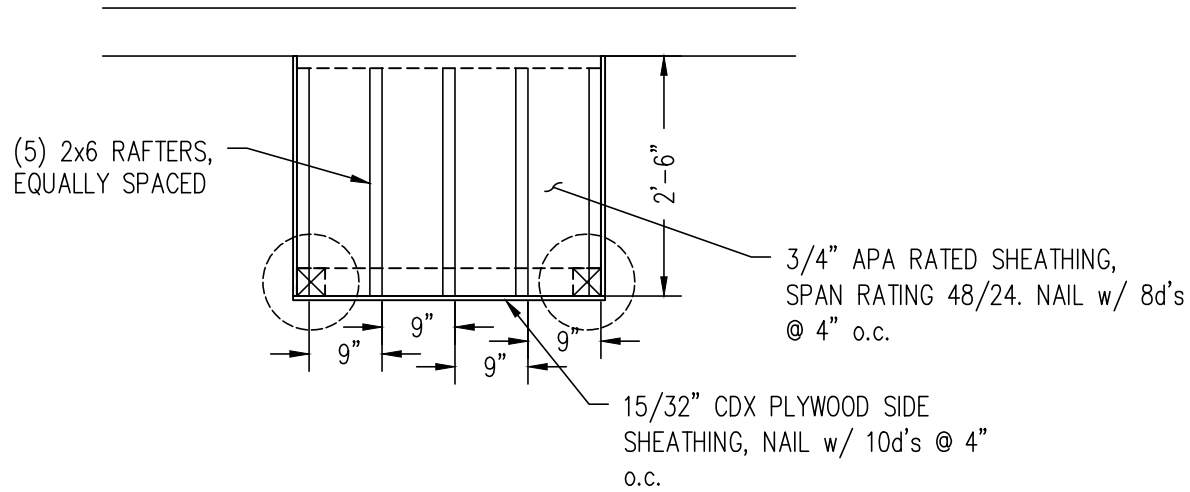
GAS METER SHELTER
IMPROVEMENT PLANS
800 PSF GABLE - FRONT VIEW
CALIFORNIA

TAHOE



CRASS VALLEY
530-272-5844
TRUCKEE
530-436-4043
FAX: 530-265-8758

© SCO PLANNING & ENGINEERING, INC.



SHED ROOF - TYPICAL PLAN VIEW

SCALE: 1/2" = 1'-0"



7/25/2022

DESIGNED: JTB	DATE
DRAWN: JTB	
PROJ. NO: 202213	
DATE: JULY, 2023	

NO.	REVISIONS

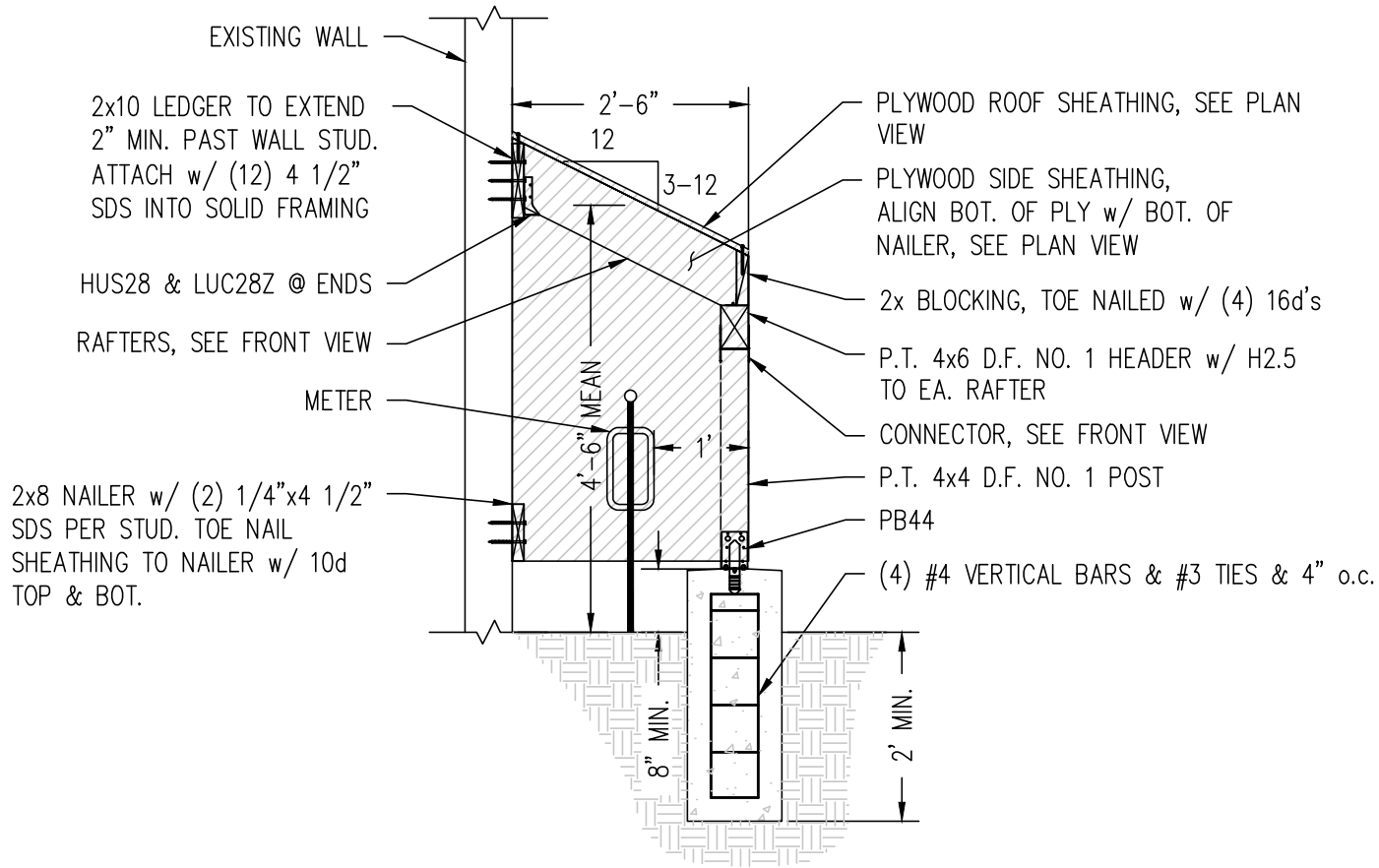
GAS METER SHELTER
IMPROVEMENT PLANS
SHED - PLAN VIEW

CALIFORNIA

TAHOE



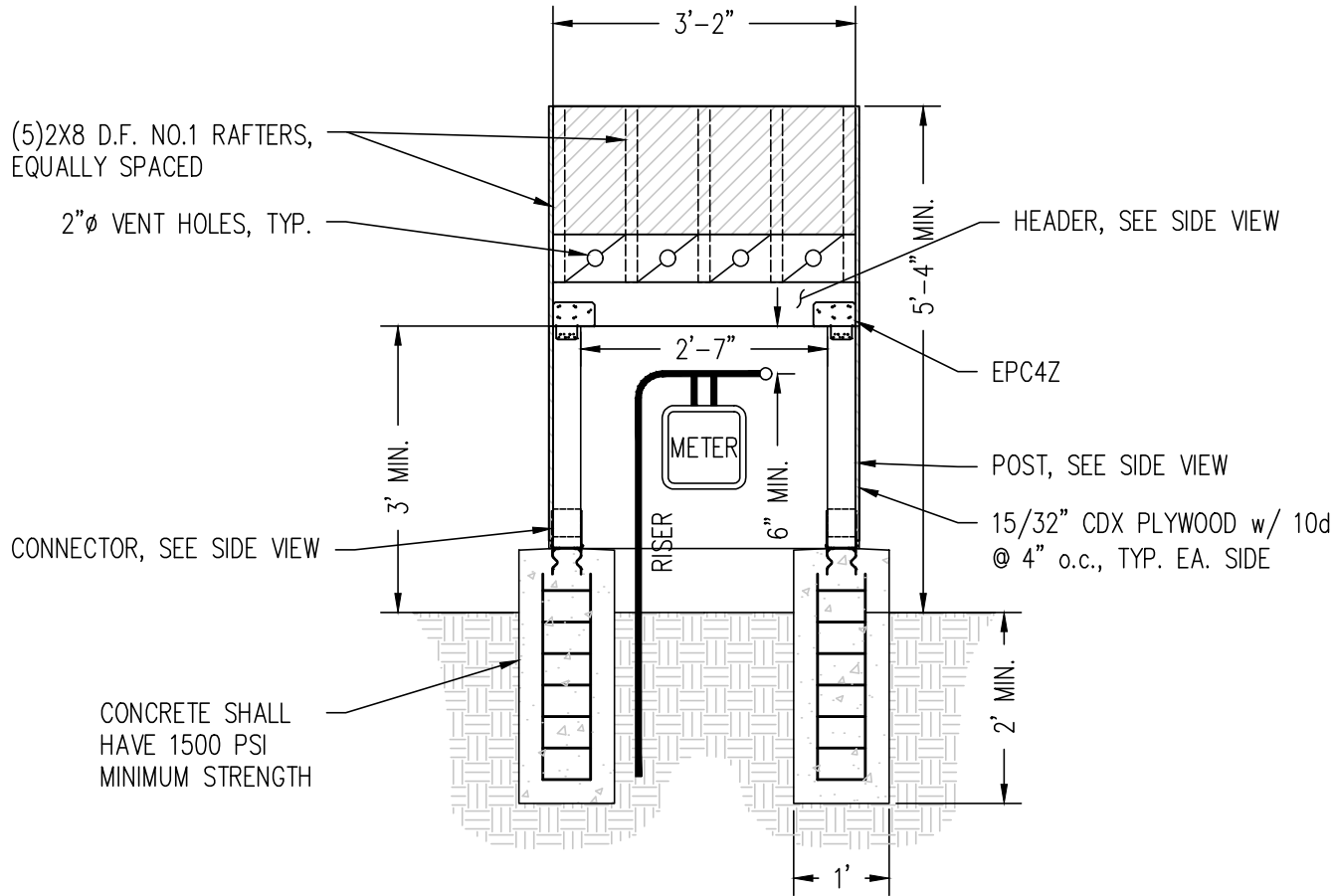
GRASS VALLEY
530-272-5844
TRUCKEE
530-486-4043
FAX: 530-265-8758



1 800 PSF SHED ROOF – SIDE VIEW
SCALE: 1/2" = 1'-0"



DESIGNED: JTB	DATE	CALIFORNIA
DRAWN: JTB	NO. REVISIONS	
PROJ. NO: 202213		
DATE: JULY, 2023		
GAS METER SHELTER IMPROVEMENT PLANS 800 PSF SHED - SIDE VIEW		
TAHOE		
		
© SCO PLANNING & ENGINEERING, INC. GRASS VALLEY 530-272-5844 TRUCKEE 530-486-4043 FAX: 530-265-8758		



② 800 PSF SHED ROOF - FRONT VIEW
SCALE: 1/2" = 1'-0"



DESIGNED: JTB	DATE	NO. REVISIONS	DATE
DRAWN: JTB			
PROJ. NO: 202213			
DATE: JULY, 2023			

GAS METER SHELTER
IMPROVEMENT PLANS
800 PSF SHED- FRONT VIEW

CALIFORNIA

TAHOE

SCD
SCOTT COUNTY DESIGN
PLANNING ENGINEERING ARCHITECTURE

GRASS VALLEY
530-272-5844
TRUCKEE
530-436-4043
FAX: 530-265-8758

© SCD PLANNING & ENGINEERING, INC.